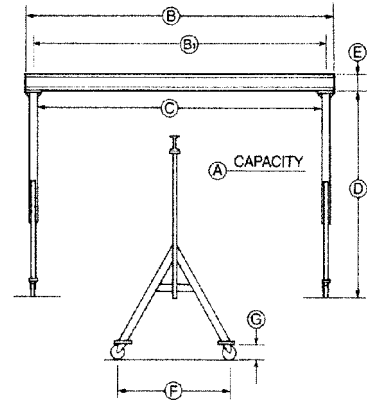


## A SERIES - ALUMINUM ADJUSTABLE HEIGHT /SPAN

A CAP.	B OVER- ALL SPAN	B1 SPAN BETWEEN WHEEL CENTERS	C CLEAR SPAN		D HEIGHT		E I-BEAM DEPTH	F TREAD	G CASTER DIA.	WITH I-BEAM		
					MAX.	MIN.				WEIGHT	MODEL	
1/2 Ton	8'	7'-3" 7'-3"	6'-11" <sup>5/16</sup> 6'-11" <sup>5/16</sup>	9'-0" 11'-0" <sup>***</sup>	6'-6" 8'-6" <sup>***</sup>	5" 5"	4'-2" 4'-2"	6" 6"	116 135	0.5ALU089B 0.5ALU0811B		
	10'	9'-3" 9'-3"	8'-11" <sup>5/16</sup> 8'-11" <sup>5/16</sup>	9'-0" 11'-0" <sup>***</sup>	6'-6" 8'-6" <sup>***</sup>	6" 6"	4'-2" 4'-2"	6" 6"	131 150	0.5ALU109B 0.5ALU1011B		
	12'	11'-3" 11'-3"	10'-11" <sup>5/16</sup> 10'-11" <sup>5/16</sup>	9'-0" 11'-0" <sup>***</sup>	6'-6" 8'-6" <sup>***</sup>	8" 8"	4'-2" 4'-2"	6" 6"	164 183	0.5ALU129B 0.5ALU1211B		
	15'	14'-3" 14'-3"	13'-11" <sup>5/16</sup> 13'-11" <sup>5/16</sup>	9'-0" 11'-0" <sup>***</sup>	6'-6" 8'-6" <sup>***</sup>	8" 8"	4'-2" 4'-2"	6" 6"	192 211	0.5ALU159B 0.5ALU1511B		
1 Ton	8'	7'-3" 7'-3" 7'-3"	6'-11" 6'-11" 6'-11"	8'-2" 10'-2" 12'-2" <sup>***</sup>	5'-8" 7'-8" 9'-8" <sup>***</sup>	6" 6" 6"	4'-6" 4'-6" 4'-6"	6" 6" 6"	150 157 197	1ALU0808B 1ALU0810B 1ALU0812B		
	10'	9'-3" 9'-3" 9'-3"	8'-11" 8'-11" 8'-11"	8'-2" 10'-2" 12'-2" <sup>***</sup>	5'-8" 7'-8" 9'-8" <sup>***</sup>	8" 8" 8"	4'-6" 4'-6" 4'-6"	6" 6" 6"	180 187 227	1ALU1008B 1ALU1010B 1ALU1012B		
	12'	11'-3" 11'-3" 11'-3"	10'-11" 10'-11" 10'-11"	8'-2" 10'-2" 12'-2" <sup>***</sup>	5'-8" 7'-8" 9'-8" <sup>***</sup>	8" 8" 8"	4'-6" 4'-6" 4'-6"	6" 6" 6"	192 199 239	1ALU1208B 1ALU1210B 1ALU1212B		
	15'	14'-3" 14'-3" 14'-3"	13'-11" 13'-11" 13'-11"	8'-2" 10'-2" 12'-2" <sup>***</sup>	5'-8" 7'-8" 9'-8" <sup>***</sup>	10" 10" 10"	4'-6" 4'-6" 4'-6"	6" 6" 6"	248 255 295	1ALU1508B 1ALU1510B 1ALU1512B		
	18'	17'-3" 17'-3" 17'-3"	16'-11" 16'-11" 16'-11"	8'-2" 10'-2" 12'-2" <sup>***</sup>	5'-8" 7'-8" 9'-8" <sup>***</sup>	12" <sup>**</sup> 12" <sup>**</sup> 12" <sup>**</sup>	4'-4" 4'-4" 4'-4"	6" 6" 6"	389 401 439	1ALU1808B 1ALU1810B 1ALU1812B		
	20'	19'-3" 19'-3" 19'-3"	18'-11" 18'-11" 18'-11"	8'-2" 10'-2" 12'-2" <sup>***</sup>	5'-8" 7'-8" 9'-8" <sup>***</sup>	12" <sup>**</sup> 12" <sup>**</sup> 12" <sup>**</sup>	4'-4" 4'-4" 4'-4"	6" 6" 6"	423 435 473	1ALU2008B 1ALU2010B 1ALU2012B		
	2 Ton	8'	7'-3" 7'-3" 7'-3"	6'-11" 6'-11" 6'-11"	8'-2" 10'-2" 12'-2" <sup>***</sup>	5'-8" 7'-8" 9'-8" <sup>***</sup>	8" 8" 8"	4'-4" 4'-4" 4'-4"	6" 6" 6"	237 246 276	2ALU0808B-N 2ALU0810B-N 2ALU0812B-N	
		10'	9'-3" 9'-3" 9'-3"	8'-11" 8'-11" 8'-11"	8'-2" 10'-2" 12'-2" <sup>***</sup>	5'-8" 7'-8" 9'-8" <sup>***</sup>	10" 10" 10"	4'-4" 4'-4" 4'-4"	6" 6" 6"	274 286 313	2ALU1008B-N 2ALU1010B-N 2ALU1012B-N	
		12'	11'-3" 11'-3" 11'-3"	10'-11" 10'-11" 10'-11"	8'-2" 10'-2" 12'-2" <sup>***</sup>	5'-8" 7'-8" 9'-8" <sup>***</sup>	12" 12" 12"	4'-4" 4'-4" 4'-4"	6" 6" 6"	322 334 361	2ALU1208B-N 2ALU1210B-N 2ALU1212B-N	
		15'	14'-3" 14'-3" 14'-3"	13'-11" 13'-11" 13'-11"	8'-2" 10'-2" 12'-2" <sup>***</sup>	5'-8" 7'-8" 9'-8" <sup>***</sup>	12" 12" 12"	4'-4" 4'-4" 4'-4"	6" 6" 6"	355 367 394	2ALU1508B-N 2ALU1510B-N 2ALU1512B-N	
		3 Ton	8'	7'-2" 7'-2" 7'-2"	6'-8" <sup>1/2</sup> 6'-8" <sup>1/2</sup> 6'-8" <sup>1/2</sup>	8'-2" 10'-2" 12'-2" <sup>***</sup>	6'-2" 7'-8" 9'-8" <sup>***</sup>	12" 12" 12"	4'-8" 4'-8" 4'-8"	8" 8" 8"	350 369 416	3ALU0808B 3ALU0810B 3ALU0812B
			10'	9'-2" 9'-2" 9'-2"	8'-8" <sup>1/2</sup> 8'-8" <sup>1/2</sup> 8'-8" <sup>1/2</sup>	8'-2" 10'-2" 12'-2" <sup>***</sup>	6'-2" 7'-8" 9'-8" <sup>***</sup>	12" 12" 12"	4'-8" 4'-8" 4'-8"	8" 8" 8"	372 391 438	3ALU1008B 3ALU1010B 3ALU1012B
12'			11'-2" 11'-2" 11'-2"	10'-8" <sup>1/2</sup> 10'-8" <sup>1/2</sup> 10'-8" <sup>1/2</sup>	8'-2" 10'-2" 12'-2" <sup>***</sup>	6'-2" 7'-8" 9'-8" <sup>***</sup>	12" 12" 12"	4'-8" 4'-8" 4'-8"	8" 8" 8"	426 445 491	3ALU1208B 3ALU1210B 3ALU1212B	
15'			14'-2" 14'-2" 14'-2"	13'-8" <sup>1/2</sup> 13'-8" <sup>1/2</sup> 13'-8" <sup>1/2</sup>	8'-2" 10'-2" 12'-2" <sup>***</sup>	6'-2" 7'-8" 9'-8" <sup>***</sup>	12" 12" 12"	4'-8" 4'-8" 4'-8"	8" 8" 8"	467 479 532	3ALU1508B 3ALU1510B 3ALU1512B	



I-BEAM	FLANGE WIDTH
ALU5" - 3.43#	3"
ALU6" - 4.3#	3 3/8"
ALU8" - 6.35#	4"
ALU10" - 8.76#	4 5/8"
ALU12" - 10.99#	5"

- \* capped I-Beam
- \*\* 2' extension to top of gantry is removable and can be ordered separately to increase height of 9 foot models. For 1/2 ton models only.
- \*\*\* 2' extension to top of gantry is removable and can be ordered separately to increase height of 8 ft. or 10ft. models. For 1 ton or 2 ton models only.